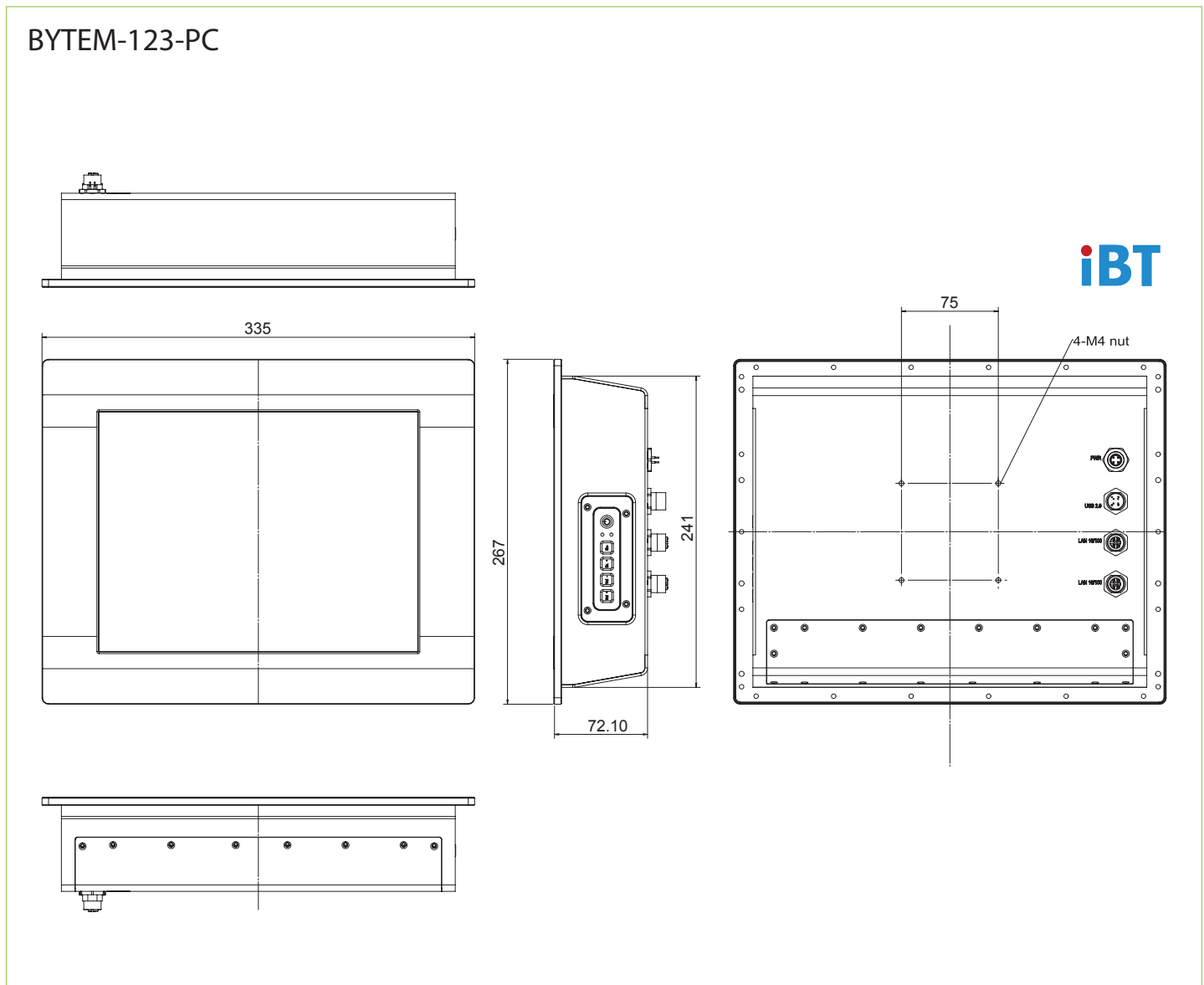


BYTEM-123-PC

Dimensions



Ordering Information

BYTEM-123-PC	12.1" Fanless Design Panel PC with IB897, Intel® Atom™ Processor E3845 1.91 GHz, 4GB DDR3L SO-DIMM, 64G SSD, projected capacitive touch, w/o power adaptor
Power adaptor (optional)	AC 100V~240V input, 24V DC output 90W power adaptor