



IPPC19A7-RE

Industrial Panel PC for Automation

Intel® Atom™ D2550-Based Modular 19" Fanless Panel PC



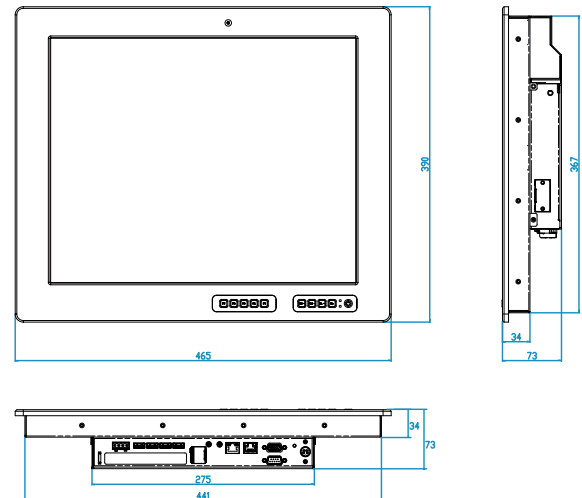
Features

- Dual-Core Intel® Atom™ Processor D2550
- DDR3-1066 memory supported, up to 4GB
- 2M battery backup SRAM
- Auto brightness adjustment w/ front dimming sensor
- Front keypads for OSD adjustment and function keys
- IP65 front panel protection
- 5-wire resistive touch panel
- One PCI expansion slot
- Slim & compact design

Specifications

System Mainboard	IB806
CPU Type	Intel® Atom™ Processor D2550 (1M Cache, 1.86 GHz)
System Speed	1.86GHz
Memory	1066 DDR3, up to 4GB
Construction	Aluminum & SPCC
Chassis Color	Silver
Front Panel External I/O	Function keys / LAN and COM port monitor LED 2x Gigabit LAN (RJ45) 4x USB 2.0 (USB Host. A-Type) COM1 RS-232/422/485
Rear Panel External I/O	1x12V DC-in 1x VGA 1x Speaker-out microjack 1x Mic-in microjack 1x 6-pin Digital IO
Expansion I/O	1x PCI slot
Storage	1x 2.5" HDD drive bay
Mounting	VESA mount, 75mm x 75mm and 100mmx100mm
Power Supply	+12V DC-in, 84W power adaptor
Dimensions	465mm(W) x 390mm(D) x 73mm(H)
LCD Size	19" TFT LCD
LCD Color	16.7M colors
Touch Screen	5-wire resistive touch panel
Display Resolution	1280 x 1024
LCD Brightness	350 cd/m ²
Viewing Angle	170(H)/160(V)
Backlight MTBF	50,000 Hrs
Operating Temperature	0°C ~ 45°C (32°F ~ 113°F)
Storage Temperature	-20°C ~ 80°C (-4°F ~ 176°F)
Relative Humidity	5 ~ 90% @ 45°C, non-condensing
Protection Class	IP65 (Front panel with wall mount)

Dimensions



Ordering Information

IPPC19A7-RE 19" Modular Panel PC with resistive touch Intel® Atom™ Processor D2550 CPU, 2GB DDR3 SO-DIMM, 320G HDD, 12V DC input, 84W power adaptor

Remarks: 1. Specifications are subject to change without prior notice.
2. ODM/OEM is available

iBT Technologies inc.

Tel. (514) 832-0808 Fax. (514) 832-0128

Toll Free: 1 (866) 590-4288 Email: info@ibt.ca Web: www.ibt.ca

