

# FWA8708

## 1U Rackmount Network Appliance

Enterprise 1U Network Appliance with  
9th or 8th Gen Intel® Xeon® / Core™ i7/i5/i3 Processor & up to 16 GbE Ports



### Specifications

CPU	FWA8708-C/CR: LGA1151 socket for 9th or 8th Gen Intel® Xeon® / Core™ i7/i5/i3 processors FWA8708-H/HR: LGA1151 socket for 9th or 8th Gen Intel® Core® i7/i5/i3 processors
Chipset	FWA8708-C/CR: Intel® C246 PCH chipset FWA8708-H/HR: Intel® H310 PCH chipset
Memory	FWA8708-C/CR: 4x DDR4 DIMMs, up to 2666MHz, Max. 64GB UDIMM (ECC or non-ECC) FWA8708-H/HR: 2x DDR4 DIMMs, up to 2666MHz, Max. 32GB UDIMM (Non-ECC)
Display	1x VGA via pin-header 1x LCM
Ethernet	FWA8708-C/CR: On board: 6x Intel® I210AT + 2x Intel® I210IS GbE NIC module slot: 1x IBN card, Max. 8x GbE FWA8708-H/HR: On Board: 6x Intel® I211AT GbE
Bypass	2x segment, LAN3/4 & 5/6
Expansion	FWA8708-C/CR: 1 or 2x PCI-E slot on rear panel 1x Mini PCI-E slot (PCIe, SATA signal) FWA8708-H/HR: 1x Mini PCI-E slot (SATA signal)
IPMI	Optional module, compliant with IPMI 2.0
Storage	2x 2.5" or 3.5" SATA drive bay 1x M.2 slot (M-key 2280, PCIe x4 & SATA signal)
TPM	TPM 2.0
I/O	3x LED (Power / HDD / Status) 1x Factory default button (GPIO) 1x RJ45 console 2x USB 3.0 1x MGMT (LAN1 share with IPMI NC-SI port)
Power Supply	Full range 250W ATX power supply or 300W 1+1 Redundant power supply
Dimensions	438 mm (W) x 422 mm (D) x 44 mm (H) 17.24"(W) x 16.61"(D) x 1.73"(H)
Weight	9.0 kg (19.84 lbs)
Operating Temperature	0°C ~ 40°C (32°F ~ 104°F)
Storage Temperature	-20°C ~ 70°C (-4°F ~ 158°F)
Operating Humidity	5% ~ 90%
Certification	CE/FCC

### Features

- 9th or 8th Gen Intel® Xeon® / Core™ i7/i5/i3 processors with C246 or H310 PCH
- 6x RJ45 GbE + 2x SFP GbE on board
- 4x or 2x DDR4 DIMMs; Max. 64GB (ECC/non-ECC)
- Optional IPMI 2.0 module (for FWA8708-C only)
- Optional NIC slot (for FWA8708-C only)
- 1x Mini PCI-E slot
- 1x M.2 slot (for FWA8708-C only)

### Ordering Information

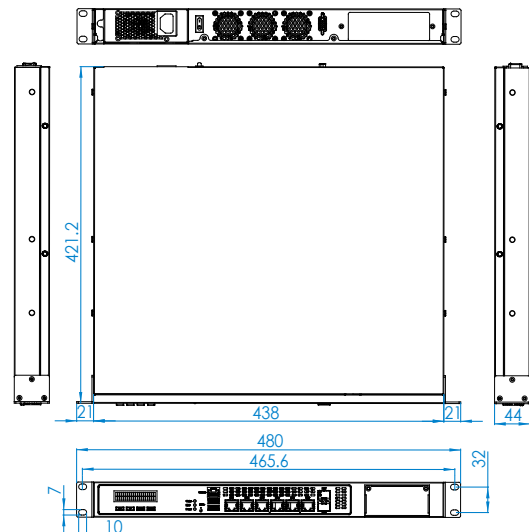
FWA8708-C	1U Rackmount Appliance, MBN805C 9th or 8th Gen Intel® Xeon® / Core™ i7/i5/i3 Processors, C246 PCH, 4x DDR4 DIMMs, Max. 16 GbE Ports, 250W PSU, CPU Cooler, optional IPMI, Barebone without RAM/HDD/Drive Bay Kit/IBN Card*
FWA8708-CR	1U Rackmount Appliance, MBN805C 9th or 8th Gen Intel® Xeon® / Core™ i7/i5/i3 Processors, C246 PCH, 4x DDR4 DIMMs, Max. 16 GbE Ports, 300W RPSU, CPU Cooler, optional IPMI, Barebone without RAM/HDD/Drive Bay Kit/IBN Card*
FWA8708-H	1U Rackmount Appliance, MBN805H 9th or 8th Gen Intel® Core™ i7/i5/i3 Processors, H310 PCH, 2x DDR4 DIMMs, Max. 6 GbE Ports, 250W PSU, CPU Cooler, Barebone without RAM/HDD/Drive Bay Kit*
FWA8708-HR	1U Rackmount Appliance, MBN805H 9th or 8th Gen Intel® Core™ i7/i5/i3 Processors, H310 PCH, 2x DDR4 DIMMs, Max. 6 GbE Ports, 300W RPSU, CPU Cooler, Barebone without RAM/HDD/Drive Bay Kit*

\*Must Order Component BOM

### Accessories

PK1-51	Console cable, 160cm
VGA21A	VGA cable, 40cm
IDN100	IPMI 2.0 module with Ibase proprietary DDR4 SO-DIMM golden finger

### Dimensions



Remarks: 1. Specifications are subject to change without prior notice.  
2. ODM/OEM is available.  
3. For user manual & datasheet download, visit [www.ibt.ca](http://www.ibt.ca)

1-866-590-4288

# FWA8708

## 1U Rackmount Network Appliance

Enterprise 1U Network Appliance with  
9th or 8th Gen Intel® Xeon® / Core™ i7/i5/i3 Processor & up to 16 GbE Ports

### Optional Component BOM

FWA8708 Series Configuration Options		Component BOM
Option Area-A	Option Area-B	Model Kit
None	None	FWA8408/6 KIT1
	1x 3.5" HDD	FWA8408/6 KIT2
	2x 2.5" HDD	FWA8408/6 KIT3
	1x IBN Module (for FWA8708-C model only)	FWA8408 KIT4 (must order IBN module tray)
1 x 3.5" HDD	None	FWA8408/6 KIT5
	1x 3.5" HDD	FWA8408/6 KIT6
	1x IBN Module (for FWA8708-C model only)	FWA8408 KIT7 (must order IBN module tray)
2 x 2.5" HDD	None	FWA8408/6 KIT8
	1x IBN Module (for FWA8708-C model only)	FWA8408 KIT9 (must order IBN module tray)
1 x Expansion Slot	1x 3.5" HDD	FWA8408/6 KIT10
	2x 2.5" HDD	FWA8408/6 KIT11
	1x IBN Module (for FWA8708-C model only)	FWA8408 KIT12 (must order IBN module tray)
1 x Expansion Slot+ 2.5" HDD	1x 3.5" HDD	FWA8408/6 KIT13
	1x IBN Module (for FWA8708-C model only)	FWA8408 KIT14 (must order IBN module tray)
2 x Expansion Slot (for FWA8708-C model only)	None	FWA8408 KIT15
	1x 3.5" HDD	FWA8408 KIT16
	2x 2.5" HDD	FWA8408 KIT17

### Compatible Processors

Compatible CPU	Memory	
	ECC	Non-ECC
E-2176G (for FWA8708-C only)	V	V
i7-8700	N/A	V
i7-8700T	N/A	V
i5-8500	N/A	V
i5-8500T	N/A	V
i3-8100	V	V
i3-8100T	V	V
G5400	V	V
G5400T	V	V
G4900	V	V
G4900T	V	V

